

MS-173FHA 1/2.9-inch 2.1 mega pixels analog HD color camera **1920×1080 with low distortion lens!**



Key feature

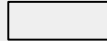
- 60.5(H)×61(W)×76.5(D)mm
- 1/2.9-inch 2.1 mega pixels CMOS sensor
- Resolution 1920×1080
- Low distortion lens
- Mirror image (Optional)
- Low power consumption
- DC+12V
- TV system supports analog HD
- Cost-effective type

1/2.9-inch	2.1 mega pixels CMOS sensor	1920×1080
0.5Lux (F1.4)	Analog HD	Approx. 420g
Low distortion lens adoption	60.5(H)×61(W)×76.5(D)mm	DC+12V

Model

Lens type

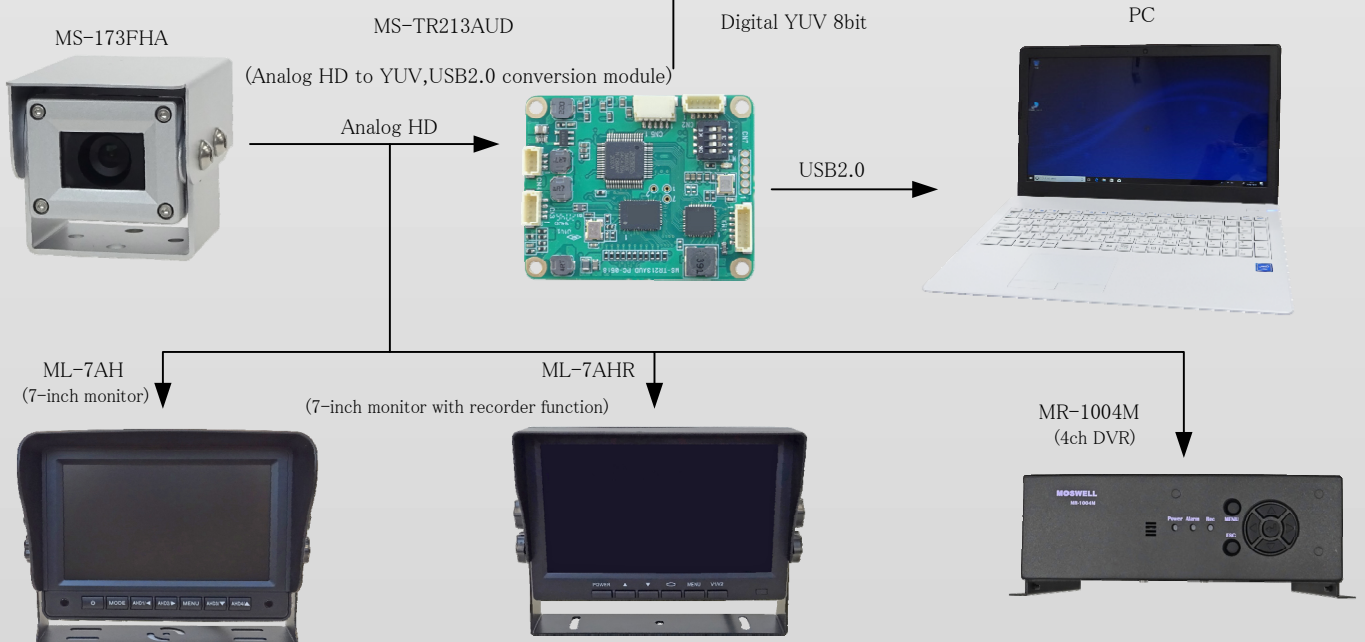
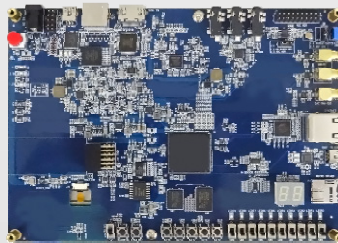
MS - 173FHA



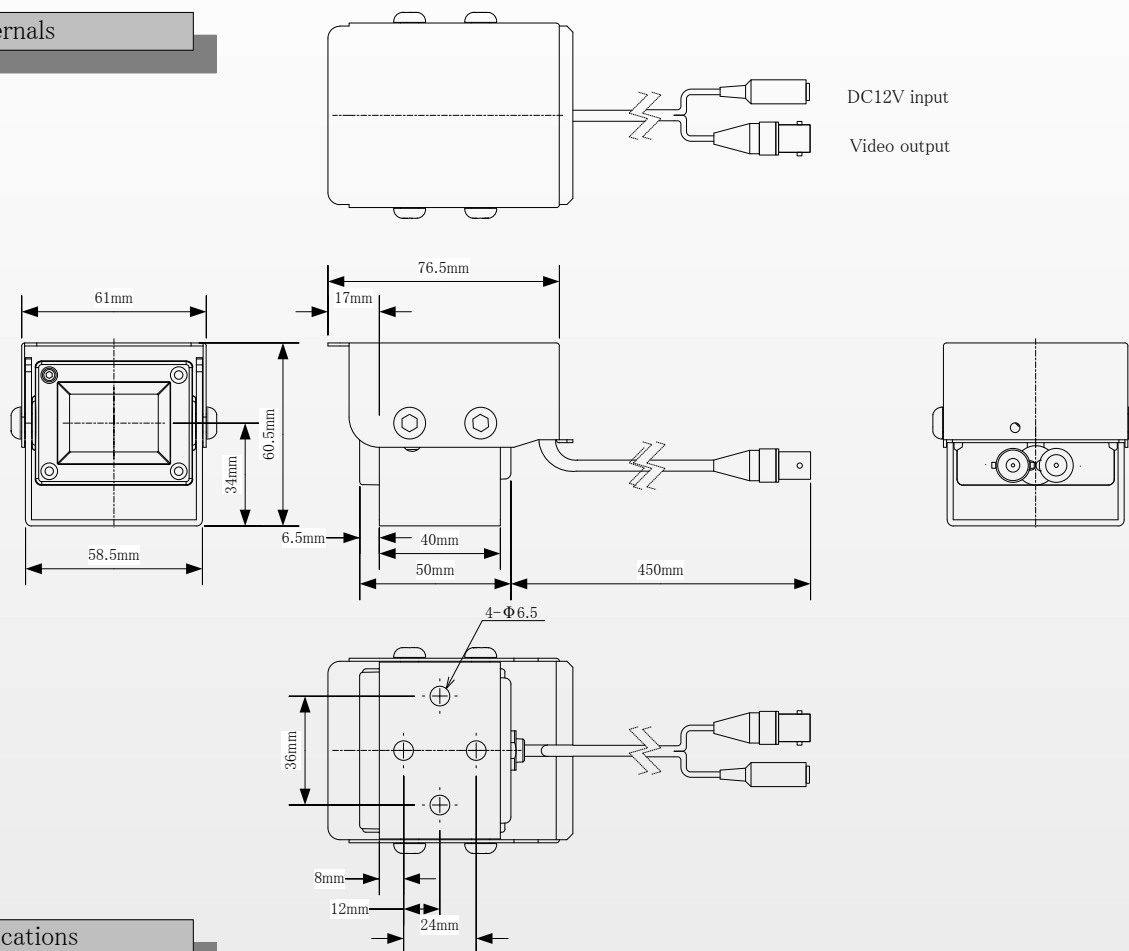
- TR29 (f=2.9mm,H=83° ,V=52°) JD45 (f=4.5mm,H=61° ,V=36°)
- AL30 (f=3.0mm,H=84° ,V=50°) JD60 (f=6.0mm,H=47° ,V=27°)
- JD30 (f=3.0mm,H=83° ,V=52°) JD178 (f=17.8mm,H=16° ,V=9°)
- JD36 (f=3.6mm,H=75° ,V=47°)
- JD39 (f=3.9mm,H=68° ,V=42°)

Examples showing the use

Processing board



Externals



Specifications

Item	Specifications
Model	MS-173FHA
Image size	1/2.9-inch color CMOS sensor
Signal method	Analog HD
Number of effective pixels	1928(H) × 1088(V)
Number of video output pixels	1920(H) × 1080(V)
Unit cell size	2.8 μm(H) × 2.8 μm(V)
Frame rate	30fps
Scanning system	Progressive scan method
Synchronizing system	Internal synchronization
Image output	VBS: 1.0p.p / 75 Ω
Minimum illumination	0.5Lux(F1.4)
S/N	45dB
AWB	AUTO
AGC	AUTO
Camera shutter	AUTO
Lens	Lineup f=2.9mm,3.0mm,3.6mm,3.9mm,4.5mm,6.0mm,17.8mm
Power supply	DC+12V (±10%)
Power consumption	1.2W
External dimensions	60.5(H)×61(W)×76.5(D)mm
Weight	Approx. 420g
Operating temperature	-10°C ~ +50°C
Operating humidity	20~80%

MOSWELL

<https://www.moswell.co.jp>
E-mail: sales@moswell.co.jp

MOSWELL CO., LTD.

7-15 GOSHOYAMA-CHO, NISHI-KU,
YOKOHAMA, KANAGAWA, 220-0043, JAPAN

TEL: +81-45-334-7462 (Direct Sales)
FAX: +81-45-334-7463

Store

ACCUM CO., LTD.

(Moswell's directly managed distributor)

7-15 GOSHOYAMA-CHO, NISHI-KU,
YOKOHAMA, KANAGAWA, 220-0043, JAPAN

TEL: +81-45-315-7464
FAX: +81-45-315-7468