

MS-163FHS 2.13 mega pixels 3G-SDI high-sensitivity color camera

Low distortion lens!

Key feature

- 1/2.8-inch 2.13 mega pixels, back-illuminated CMOS sensor with improved near-infrared sensitivity
- 1080p/60p, 3G-SDI, wide dynamic range capability
- The simple picture adjustment function adjusts gamma, sharpness, and color gain
- The D-ZOOM function magnifies a portion of the screen. Magnification ranges from 1 to 16 times
- DNR has three levels to choose from
- The white point correction function corrects white spots on the screen
- The DEFOG function obtains clear images even in foggy or other scenes
- The long exposure function accumulates images and improves sensitivity, and can accumulate up to 32 frames
- The ACE function offers three levels of contrast and brightness
- The privacy mask function hides areas on the screen that you do not want displayed
- The motion detection function outputs motion information when there is a certain level of luminance difference between frames
- The DIS (Digital Image Stabilizer) function stabilizes image output by detecting and digitally correcting image shaking caused by camera shaking
- The OSD function uses a predetermined OSD display to set and display specific functions and is available in four languages (English, Japanese, Chinese, and Korean)

1/2.8-inch 2.13 mega pixels	Back-illuminated CMOS sensor	Near equatorial sensitivity upward	1080p/60p
ACE	Privacy masks	DNR	DEFOG
Long time exposure	OSD	Motion detection	D-ZOOM 16x
Mirror image, Flip	Shading correction	VBS output	DIS
Low distortion lens	48.2(H)×38.5(W)×52.5(D)mm	+12V power supply input	

OSD settings

OSD standard setting

	Feature	Summary
1	IRIS	Switching settings between electronic IRIS and mechanical IRIS
2	FOCUS ADJ	Indication of lens focus degree
3	BACKLIGHT	HLC, BLC, and WDR settings
4	DAY&NIGHT	DAY&NIGHT setting
5	COLOR	Auto and manual white balance settings
6	DNR	Digital noise reduction settings
7	IMAGE	Sharpness, gamma, mirror, zoom, ACE, DEFOG, shading, privacy mask settings
8	DIS	Settings to correct images caused by camera shake
9	iMOTION	Motion detection settings
10	SYSTEM	Set camera ID, frame rate, VBS, and camera title

※ See specifications for details.

Model

MS - 163FHS

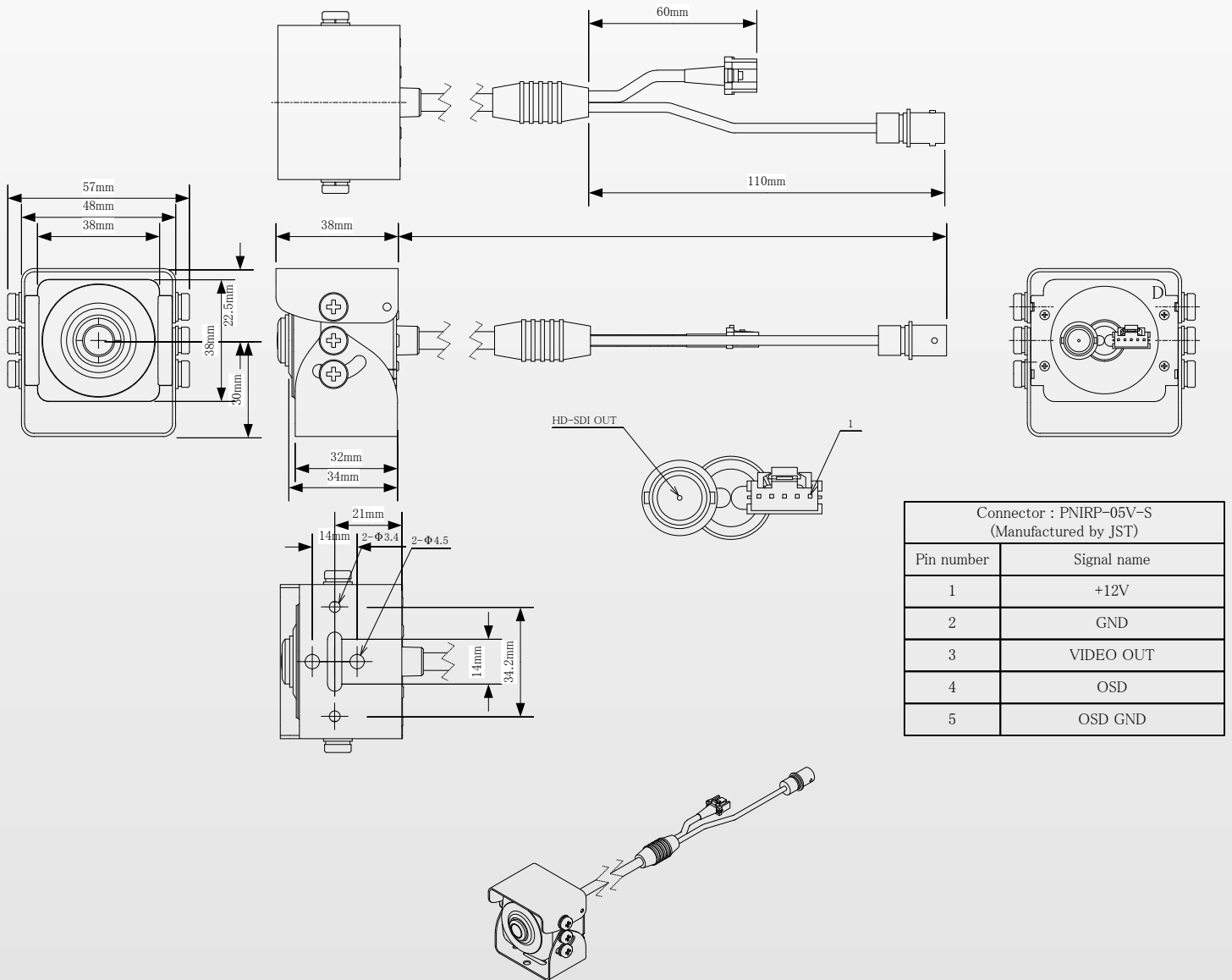
Lens type selection

- 3.0mm : JD30 (f=3.0mm, H=84°, V=50°)
- 3.6mm : JD36 (f=3.6mm, H=74°, V=40°)
- 3.9mm : JD39 (f=3.9mm, H=70°, V=35°)
- 4.5mm : JD45 (f=4.5mm, H=63°, V=37°)
- 6.0mm : JD60 (f=6.0mm, H=49°, V=28°)
- 2.9mm : TR29 (f=2.9mm, H=85°, V=51°)

Specification

Item	Specification
Model	MS-163FHS
Image size	1/2.8-inch back-illuminated color CMOS sensor (IMX291)
Number of effective pixels	1945(H) × 1097(V)
Number of video output pixels	1920(H) × 1080(V)
Unit cell size	2.9 μm(H) × 2.9 μm(V)
Signal output	3G SDI
Scanning system	Progressive scan method
Video Format	720p/25p, 720p/30p, 1080p/25p, 1080p/30p, 1080p/50i, 1080p/60i, 1080p/50p, 1080p/60p
Synchronizing system	Internal synchronization
S/N	46dB
Minimum illumination	0.1 Lux (1080p/30p, DAY mode, long time exposure OFF)
OSD	Setup from SW board
WDR	LOW, MIDDLE, HIGH
DEFOG	↓
ACE	↓
Privacy mask	BOX, POLYGON
DNR	LOW, MIDDLE, HIGH
Motion detection	DET WINDOW, SENSITIVITY, ESTIMATE
DIS(Digital image Stabilizer)	ON/OFF
D-ZOOM	1 to 16 times
Camera shutter	AUTO/MANUAL(×2, ×4, ×8, ×16, ×32, 1/25, 1/30, 1/50, 1/60, 1/100, 1/120, 1/250, 1/700, 1/1000, 1/1600, 1/2500, 1/5000, 1/7000, 1/10000)
Mirror image, Flip	ON/OFF
Lens	f=2.9mm, 3.0mm, 3.6mm, 3.9mm, 4.5mm, 6.0mm
Power consumption	1.8W
Power supply	DC+12V±10%
External dimensions	48.2(H)×38.5(W)×52.5(D)mm
Weight	Approx. 270g
Operating temperature	-10°C ~ +50°C
Operating humidity	20% ~ 80%
Components	Camera body, Dedicated harness

External



MOSWELL

<https://www.moswell.co.jp>
E-mail : sales@moswell.co.jp

MOSWELL CO., LTD.
7-15 GOSHOYAMA-CHO, NISHI-KU,
YOKOHAMA, KANAGAWA, 220-0043, JAPAN
TEL : +81-45-334-7462(Direct Sales)
FAX : +81-45-334-7463

Store
ACCUM CO., LTD.
(Moswell's directly managed distributor)
7-15 GOSHOYAMA-CHO, NISHI-KU,
YOKOHAMA, KANAGAWA, 220-0043, JAPAN
TEL : +81-45-315-7464
FAX : +81-45-315-7468