

MS-193PWT WDR high-sensitivity waterproof color camera



Key feature

1/3-inch CMOS sensor	380,000 pixels	VBS output
0.1Lux (IR OFF)	WDR	Progressive
High sensitive	Water proofing	Wide angle lens 110° (H)
38(H)×45.2(W)×32(D)mm	Approx. 260g	DC+12V

WDR mode

Image taken by our standard (WDR-negative camera)

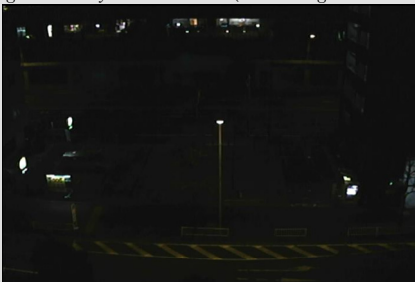


Images of MS-193PWT



Night photography

Image taken by our standard (WDR-negative camera)



Images of MS-193PWT

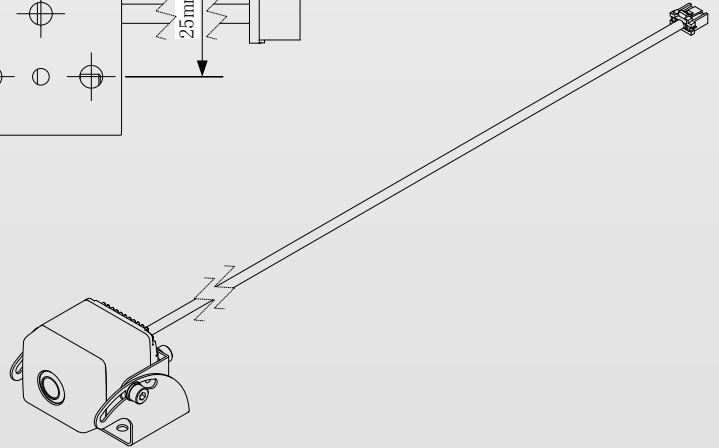
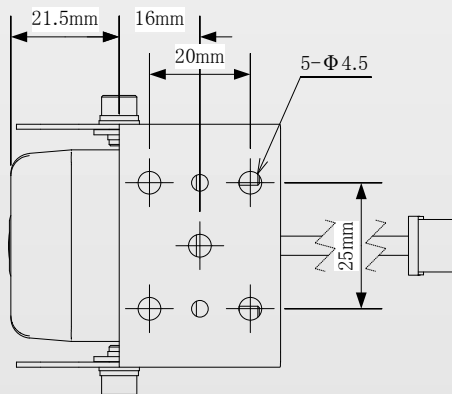
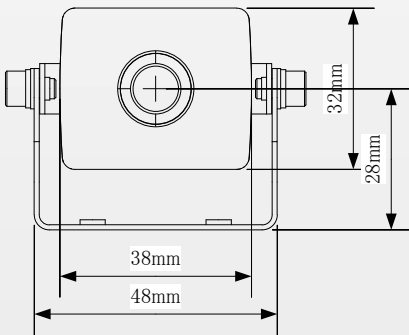
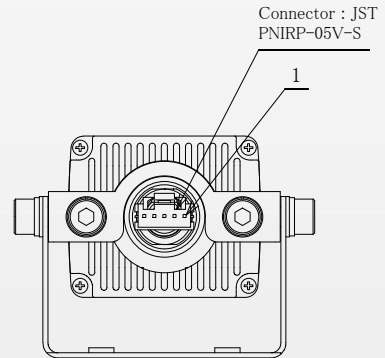
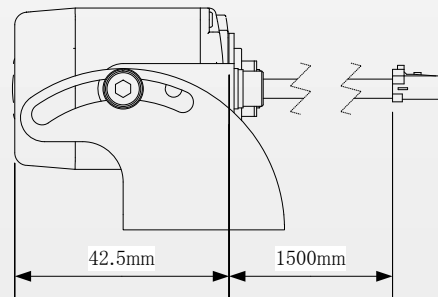
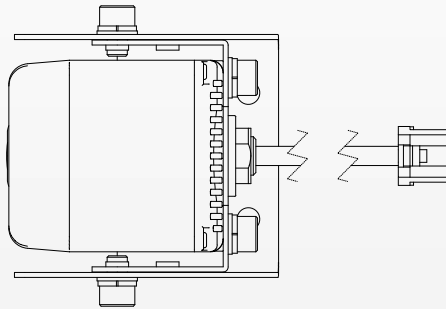


- 1/3-inch 380,000 pixels (Effective), WDR high-sensitivity CMOS sensor is used
- The WDR function provides clear and natural images even in intense environments such as backlit conditions
- Progressive CMOS sensor is used to ensure that there is no image discrepancy between odd and even fields in recorded images such as DVR, so that even still images can be reproduced clearly
- Waterproof construction allows outdoor use
- The horizontal angle of view is 110°, allowing the camera to capture a wide area
- It is small and lightweight at 38(H)×45.2(W)×32(D)mm and Approx. 260g
- DC+12V power input

Specifications

Item	Specifications
Model	MS-193PWT
Image size	1/3-inch wide dynamic range color high-sensitivity CMOS sensor
Signal method	NTSC
Number of effective pixels	756(H) × 504(V)
Number of video output pixels	720(H) × 480(V)
Unit cell size	6.35 μm × 7.4 μm
Synchronizing system	Internal Synchronization
Image output	VBS : 1.0Vp-p/75Ω
Minimum illumination	0.1Lux(F1.8)
Dynamic range	110dB
S/N	48dB (γ=1, gain 0dB)
Lens	f=2.3mm (H=110°)
Power supply	DC +12V
Waterproofing	Equivalent to IP67
Power consumption	2W
External dimensions (Board)	38(H)×45.2 (W)×32 (D)mm
Weight	Approx. 260g
Operating temperature	-10°C~+50°C
Operating humidity	20~80%(No dew condensation)

Externals



Connector : PNIRP-05V-S
(Manufactured by JST)

Pin number	Signal name
1	+12V
2	GND
3	VIDEO OUT
4	-
5	-

MOSWELL

<http://www.moswell.co.jp>
E-mail: sales@moswell.co.jp

MOSWELL CO.,LTD.
〒220-0043 7-15 Goshoyama-cho,
Nishi-ku, Yokohama City
TEL: +81-45-334-7462 (Direct Sales)
FAX: +81-334-7463

Store
ACCUM CO.,LTD.
(Moswell's directly managed distributor)
〒220-0043 7-15 Goshoyama-cho, Nishi-ku,
Yokohama City
TEL: +81-45-315-7464
FAX: +81-45-315-7468