

### MS-M123QVU2 QUAD VGA USB color board camera **Global shutter, low distortion lens!**

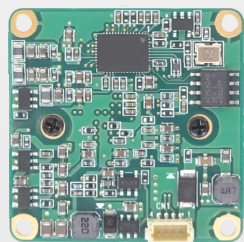


#### Key feature

- Compact and lightweight at 32(H)×32(W)mm  
Approx. 14g
- Global shutter
- Low distortion lens
- 1/3 inch type, 1.3 mega pixels  
(Number of recorded pixel: 1.23 mega pixels)
- USB image output is USB 2.0 USB video class 1.1 compliant, no device driver required
- USB bus-powered, allowing operation via USB cable without using an external power supply
- Mode settings can be changed from host-side control software

1/3-inch	1.3 mega pixels	QUAD VGA
Global shutter	USB2.0	30fps
AWB	AGC	M12 Low distortion lens
USB (+5V)	32(H)×32(W)mm	Approx. 14g

#### External connectors



CN2

Pin number	Signal name
1	VBUS(+5.0V)
2	D-
3	D+
4	GND

#### Model

MS - M123QVU2

Lens mount selection

M : M12 Lens Mount

Nm: No lens mount

Lens type selection

3.0mm : JD30 (f=3.0mm , H=76° , V=62° )

3.6mm : JD36 (f=3.6mm , H=70° , V=55° )

3.9mm : JD39 (f=3.9mm , H=64° , V=50° )

4.5mm : JD45 (f=4.5mm , H=56° , V=43° )

6.0mm : JD60 (f=6.0mm , H=43° , V=33° )

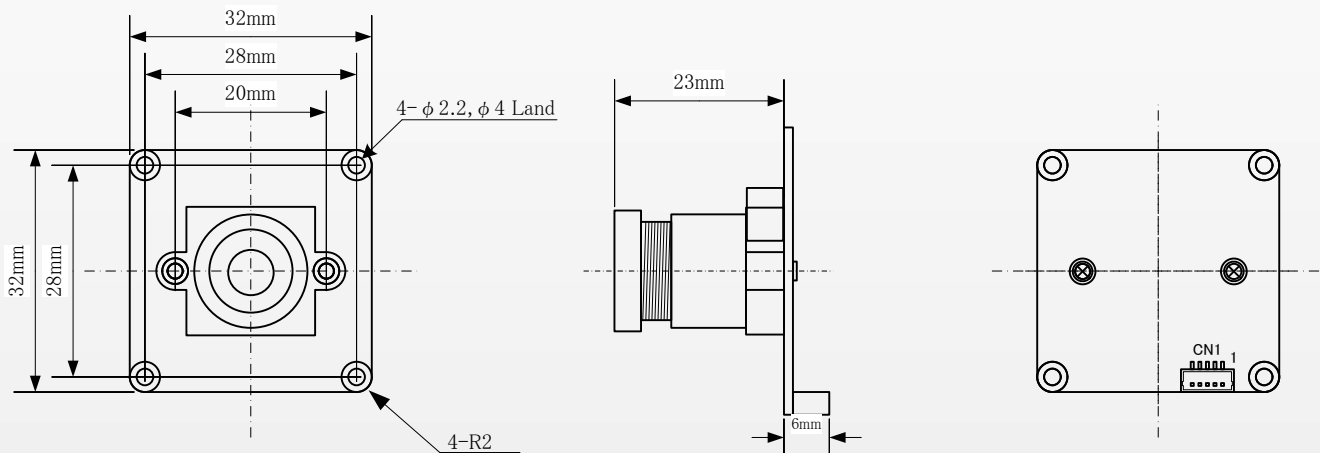
17.8mm : JD178 (f=17.8mm , H=14° , V=10° )

2.9mm : TR29 (f=2.9mm , H=76° , V=62° )

#### Specifications

Item	Specifications
Model	MS-M123QVU2
Image size	1/3-inch color CMOS sensor
Number of effective pixels	1288(H) × 972(V)
Number of video output pixels	1280(H) × 960(V)
Unit cell size	3.75 μ m(H) × 3.75 μ m(V), Square pixel
Scanning system	Progressive scan method
Synchronizing system	Internal synchronization
Frame rate	30fps
Image output	USB2.0(Full speed , High speed)
Minimum illumination	0.4Lux(F1.4)
Dynamic range	70dB
S/N	40dB
Video output format	QUAD VGA
Automatic control function	AWB,AGC,AE
Flickerless function	AUTO
Camera shutter	Rolling shutter
Lens mount	Without mount / M12
Power supply	USB bus power (+5V)
Power consumption	1W
External dimensions	32(H)×32(W) mm
Weight	Approx. 14g
Operating temperature	-10°C~+50°C
Operating humidity	20~80%
Components	Camera body, Dedicated USB cable

## Externals



JD30 : H=19.0mm    JD39 : H=23.0mm    JD60 : H=24.5mm    TR29 : H=17.6mm  
 JD36 : H=20.5mm    JD45 : H=23.0mm    JD178 : H=21.0mm

# MOSWELL

<https://www.moswell.co.jp>  
 E-mail : sales@moswell.co.jp

**MOSWELL CO., LTD.**

7-15 GOSHOYAMA-CHO, NISHI-KU,  
 YOKOHAMA, KANAGAWA, 220-0043, JAPAN

TEL : +81-45-334-7462(Direct Sales)  
 FAX : +81-45-334-7463

Store

**ACCUM CO., LTD.**

(Moswell's directly managed distributor)

7-15 GOSHOYAMA-CHO, NISHI-KU,  
 YOKOHAMA, KANAGAWA, 220-0043, JAPAN

TEL : +81-45-315-7464  
 FAX : +81-45-315-7468