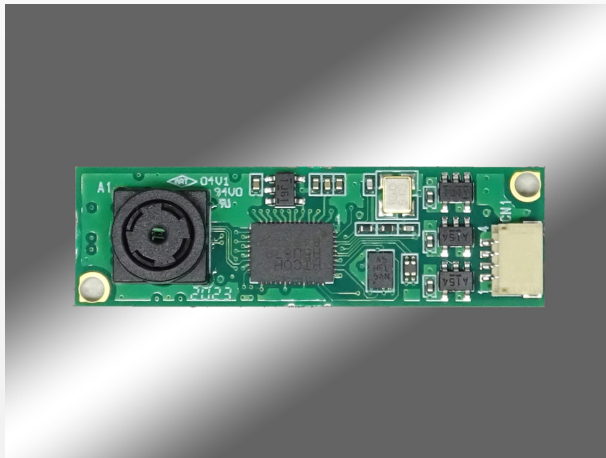


MS-M34VU 300,000 pixels USB2.0 color camera

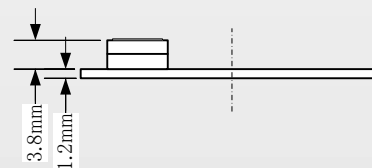
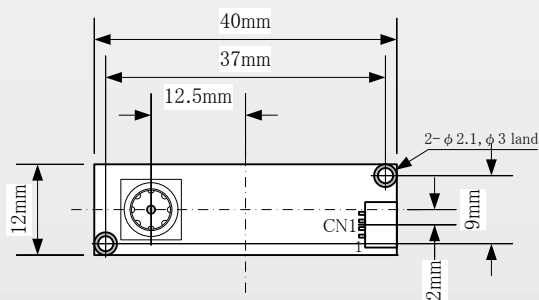


Key feature

- 12(H)×40(W)mm, Approx. 3g, compact and lightweight type
- Can be integrated into a variety of devices
- 1/4-inch type, 300,000 pixels
- USB image output is USB 2.0 USB video class 1.1 support, no device driver required
- USB bus-powered, allowing operation via USB cable without using an external power supply
- Mode setting from host-side control software changeable

1/4-inch	300,000 pixels	VGA
0.5Lux (F1.4)	USB2.0	Low distortion
AGC	AWB	USB2.0 (+5V)
12(H)×40(W)mm	Approx. 3g	

Externals



Specification

Item	Specifications
Model	MS-M34VU
Image size	1/4-inch color CMOS sensor
Number of video output pixels	640(H)×480(V)
Unit cell size	5.6 μm(H) × 5.6 μm(V), Square pixel
Scanning system	Progressive scan method
Frame rate	30fps
Image output	USB2.0(Full Speed , High Speed)
Minimum illumination	0.5Lux(F1.4)
Dynamic range	60dB
S/N	38dB
Video output format	640(H)×480(V)
Automatic control function	AWB,AGC,AE
Camera shutter	Rolling shutter
Painting of angles	73° (diagonal)
Power supply	USB bus power(+5V)
Power consumption	1.2W
External dimensions (Board)	12(H)×40(W)mm
Weight	Approx. 3g
Operating temperature	-10°C~+50°C
Operating humidity	20~80%

MOSWELL

<https://www.moswell.co.jp>
E-mail: sales@moswell.co.jp

MOSWELL CO., LTD.

7-15 GOSHOYAMA-CHO, NISHI-KU,
YOKOHAMA, KANAGAWA, 220-0043, JAPAN

TEL: +81-45-334-7462(Direct Sales)
FAX: +81-45-334-7463

Store

ACCUM CO., LTD.

(Moswell's directly managed distributor)

7-15 GOSHOYAMA-CHO, NISHI-KU,
YOKOHAMA, KANAGAWA, 220-0043, JAPAN

TEL: +81-45-315-7464
FAX: +81-45-315-7468