

MS-163FHUS 2.13 mega pixels USB2.0 color camera

Low distortion lens!

Key feature

- 52.5(H)×48.2(W)×38.5(D)mm
- Low distortion lens, ideal for image processing
- 1/2.8-inch 2.13 mega pixels, back-illuminated CMOS sensor with improved near-infrared sensitivity
- 1080p/30fps(USB 2.0)
- Simple picture adjustment functions adjust brightness, contrast sharpness, and color gain
- White balance function is selectable between auto and user, and user function adjusts R, B gain
- 30fps(1920×1080,1280×720,640×480,320×240)
- USB image output is USB 2.0 USB video class 1.1 compliant, no device driver required
- USB bus-powered, allowing operation via USB cable without using an external power supply
- Mode settings can be changed from host-side control software

1/2.8-inch

2.13mega pixels

Full HD 1080p

0.3Lux (F1.4)

USB2.0

30fps

property control

M12

Low distortion lens

52.5(H)×48.2(W)×38.5(D)mm

Approx. 270g

USB (+5V)

Model

MS - 163FHUS

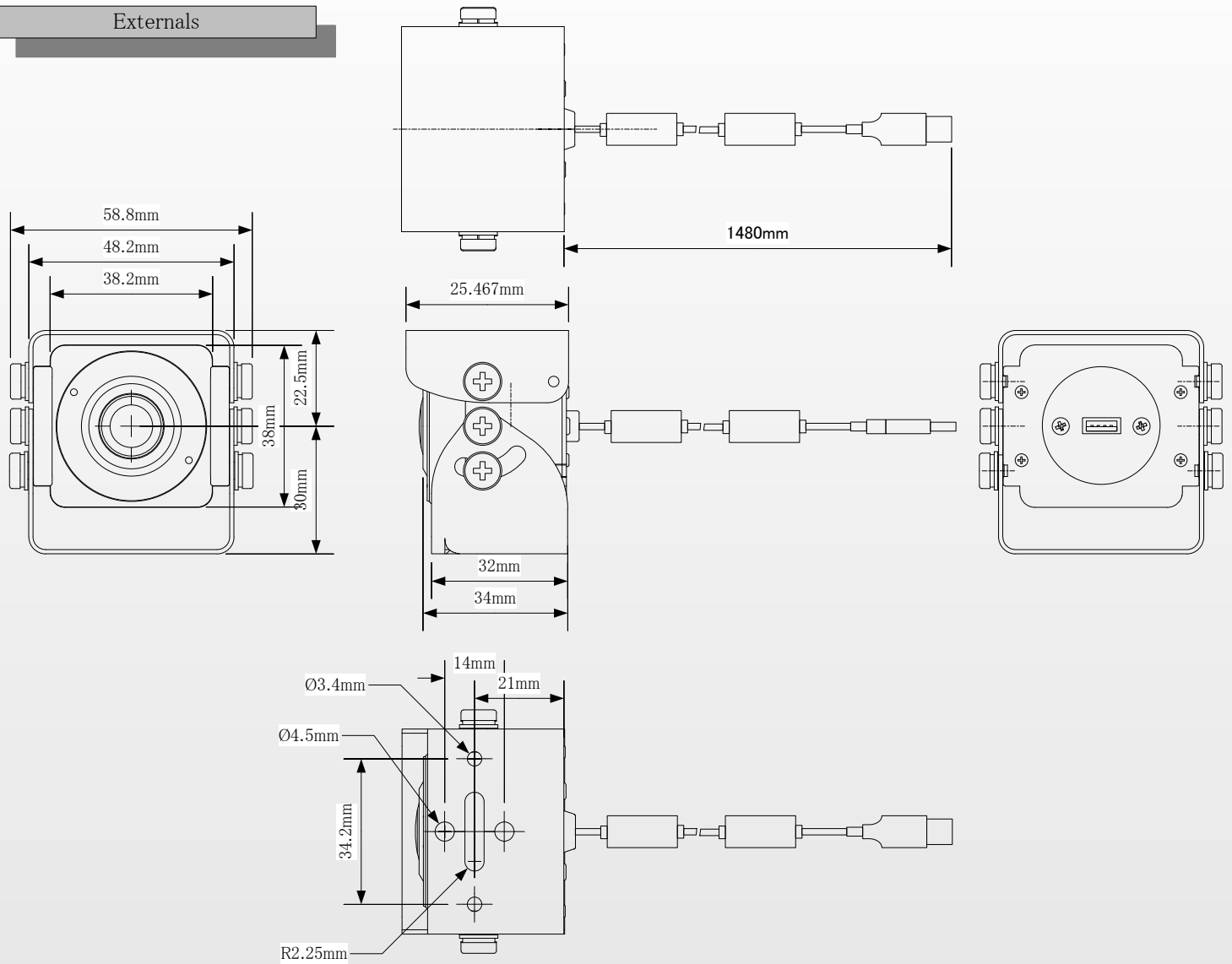
Lens type selection

- 3.0mm : JD30 (f=3.0mm , H=84° , V=50°)
- 3.6mm : JD36 (f=3.6mm , H=74° , V=40°)
- 3.9mm : JD39 (f=3.9mm , H=70° , V=35°)
- 4.5mm : JD45 (f=4.5mm , H=63° , V=37°)
- 6.0mm : JD60 (f=6.0mm , H=49° , V=28°)
- 17.8mm : JD178 (f=17.8mm , H=17° , V=10°)
- 2.9mm : TR29 (f=2.9mm , H=85° , V=51°)
- 3.0mm : AL30 (f=3.0mm , H=84° , V=50°) (Performance up version)

Specifications

Item	Specifications
Model	MS-163FHUS
Image size	1/2.8-inch back-illuminated color CMOS sensor (IMX291)
Number of effective pixels	1945(H) × 1097(V)
Number of video output pixels	1920(H) × 1080(V)
Unit cell size	2.9 μm(H) × 2.9 μm(V), Square pixel
Scanning system	Progressive scan method
Synchronizing system	Internal synchronization
Clock frequency	74.25MHz
Frame rate	30fps
Image output	USB2.0(Full speed , High speed)
Minimum illumination	0.3Lux(F1.4)
Dynamic range	55dB
S/N	44dB
Video Output format	1920×1080,1280×720,640×480,320×240
Automatic control function	AWB,AGC,AE
Flickerless function	AUTO
Camera shutter	Rolling shutter
Lens	2.9mm,3.0mm,3.6mm,3.9mm,4.5mm,6.0mm,17.8mm
Power supply	USB bus power (+5V)
Power consumption	1.2W
External dimensions	52.5(H)×48.2(W)×38.5(D)mm
Weight	Approx. 270g
Operating temperature	-10°C~+50°C
Operating humidity	20~80%
Components	Camera body, Dedicated USB cable

Externals



MOSWELL

<https://www.moswell.co.jp>
E-mail: sales@moswell.co.jp

MOSWELL CO., LTD.

7-15 GOSHOYAMA-CHO, NISHI-KU,
YOKOHAMA, KANAGAWA, 220-0043, JAPAN

TEL: +81-45-334-7462 (Direct Sales)
FAX: +81-45-334-7463

Store

ACCUM CO., LTD.

(Moswell's directly managed distributor)

7-15 GOSHOYAMA-CHO, NISHI-KU,
YOKOHAMA, KANAGAWA, 220-0043, JAPAN

TEL: +81-45-315-7464
FAX: +81-45-315-7468